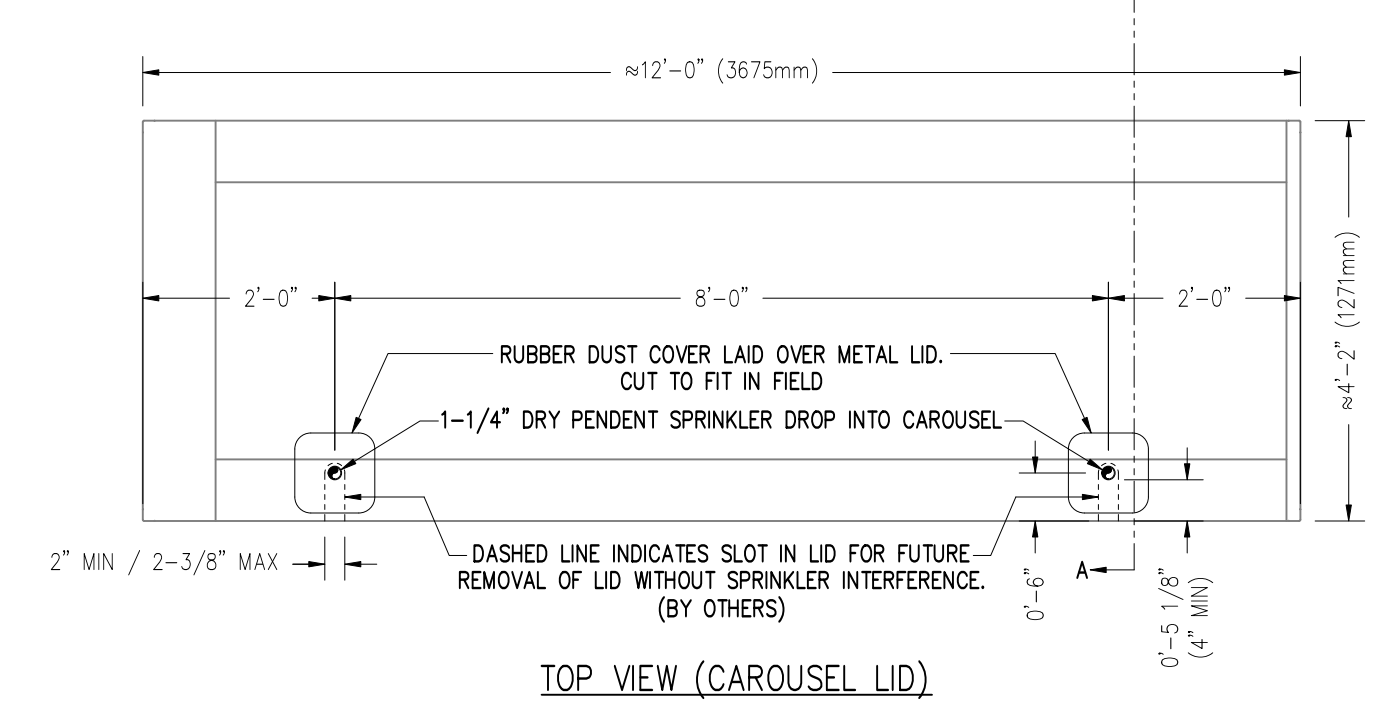
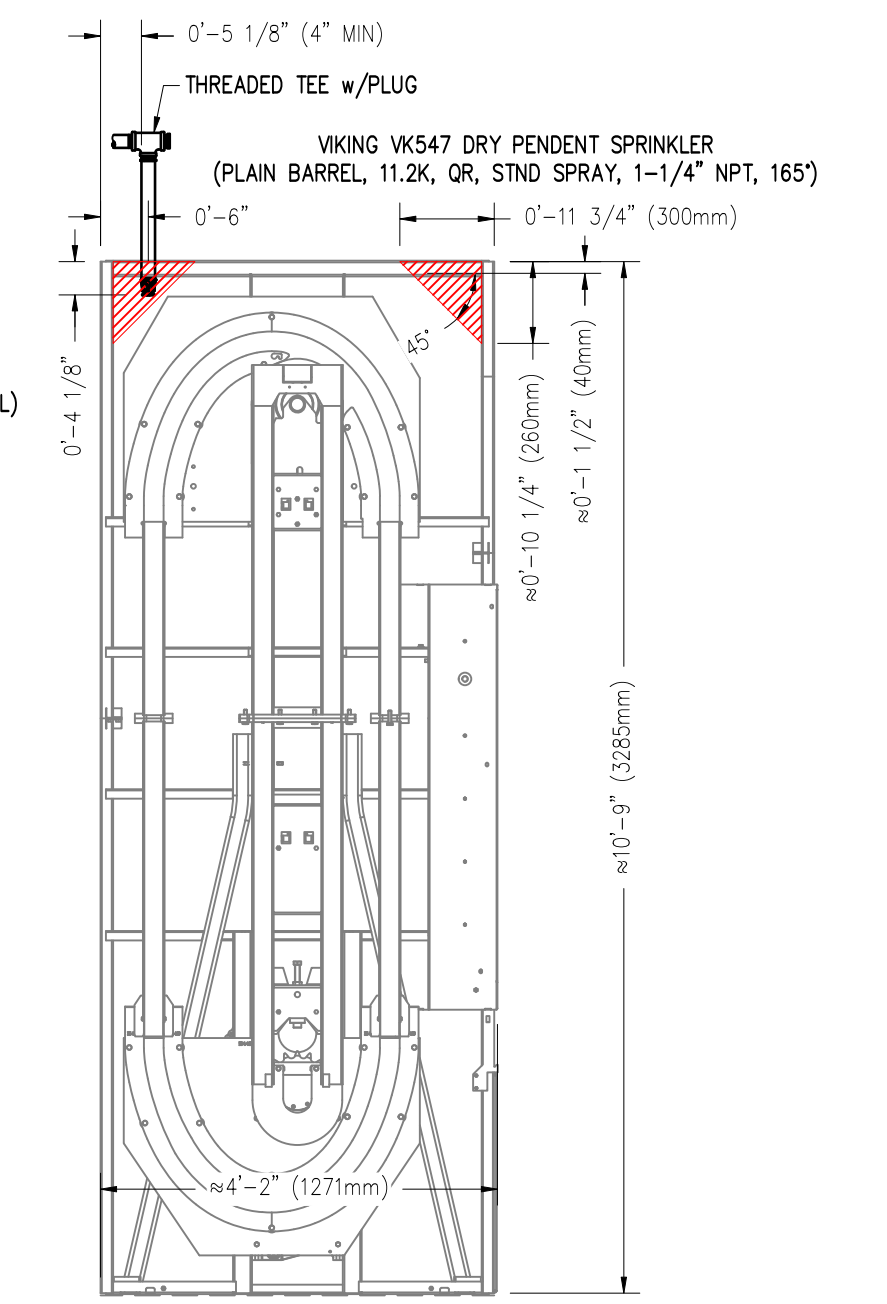


ZONE LEGEND - MOB CI
NOT TO SCALE

NOTE:
DETAIL REFLECTS PHARMACY CAROUSEL
MODEL #MEGRS 3501.3050.4.419.12



TOP VIEW (CAROUSEL LID)



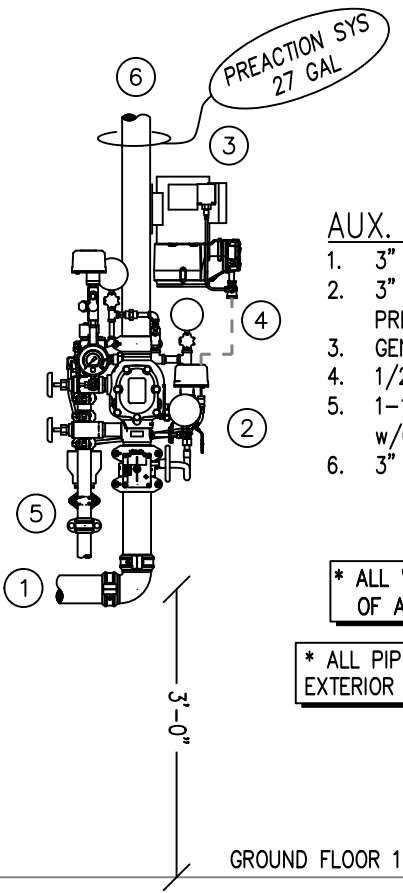
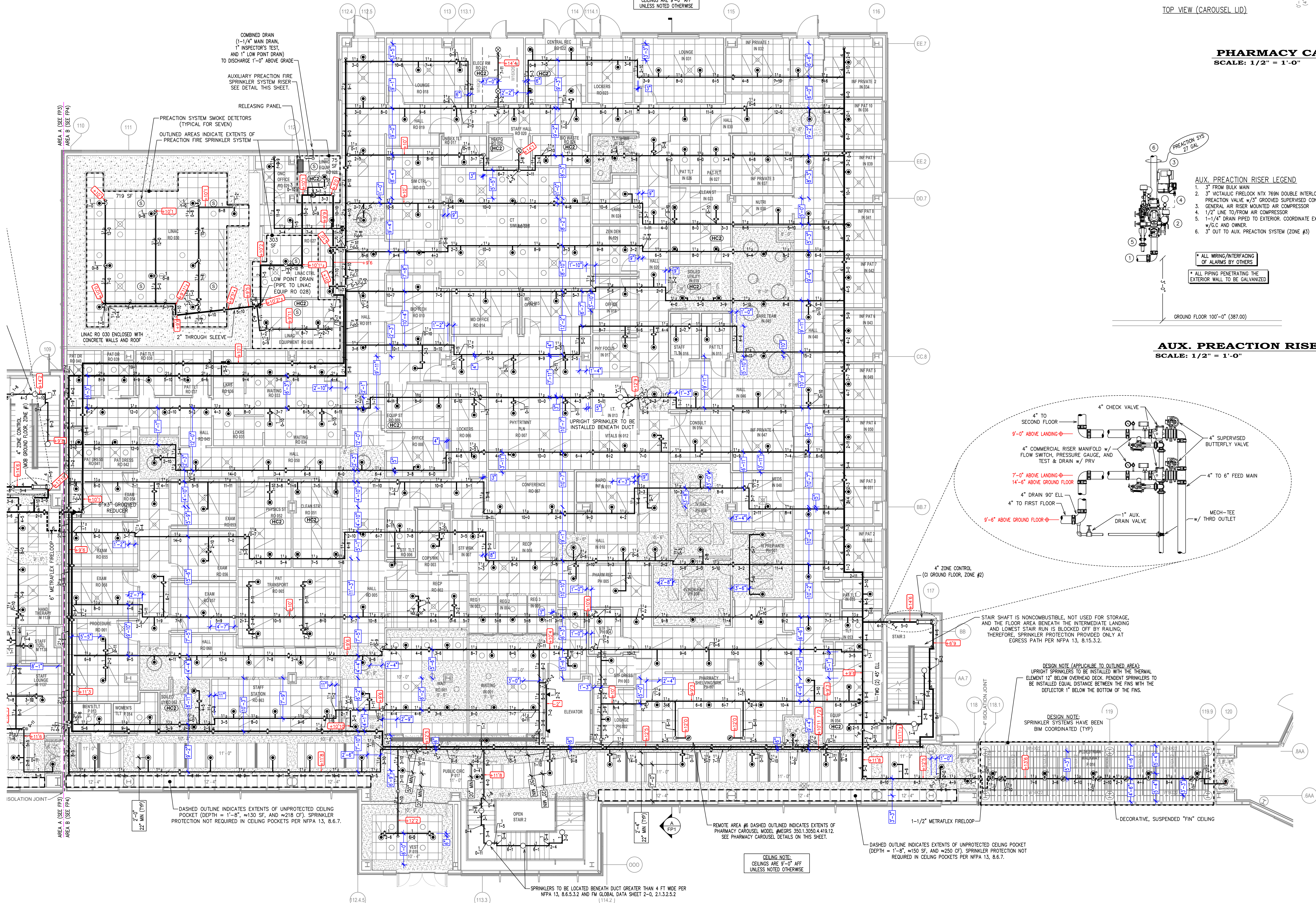
SECTION VIEW "A"

PHARMACY CAROUSEL DETAILS
SCALE: 1/2" = 1'-0"

DESIGN NOTE:
PRIVACY CURTAINS ARE SUPPORTED BY FABRIC MESH WITH OPENINGS GREATER THAN 70% AND THE MESH EXTENDS A MINIMUM OF 22" DOWN FROM THE CEILING, THEREFORE, PRIVACY CURTAINS ARE NOT AN OBSTRUCTION PER NFPA 13, 8.6.5.2.2.1. AND FM DATA SHEET 2-0, 2.1.3.2.5.1 (TYP)

DESIGN NOTE:
SPRINKLER SYSTEMS HAVE BEEN BIM COORDINATED (TYP)

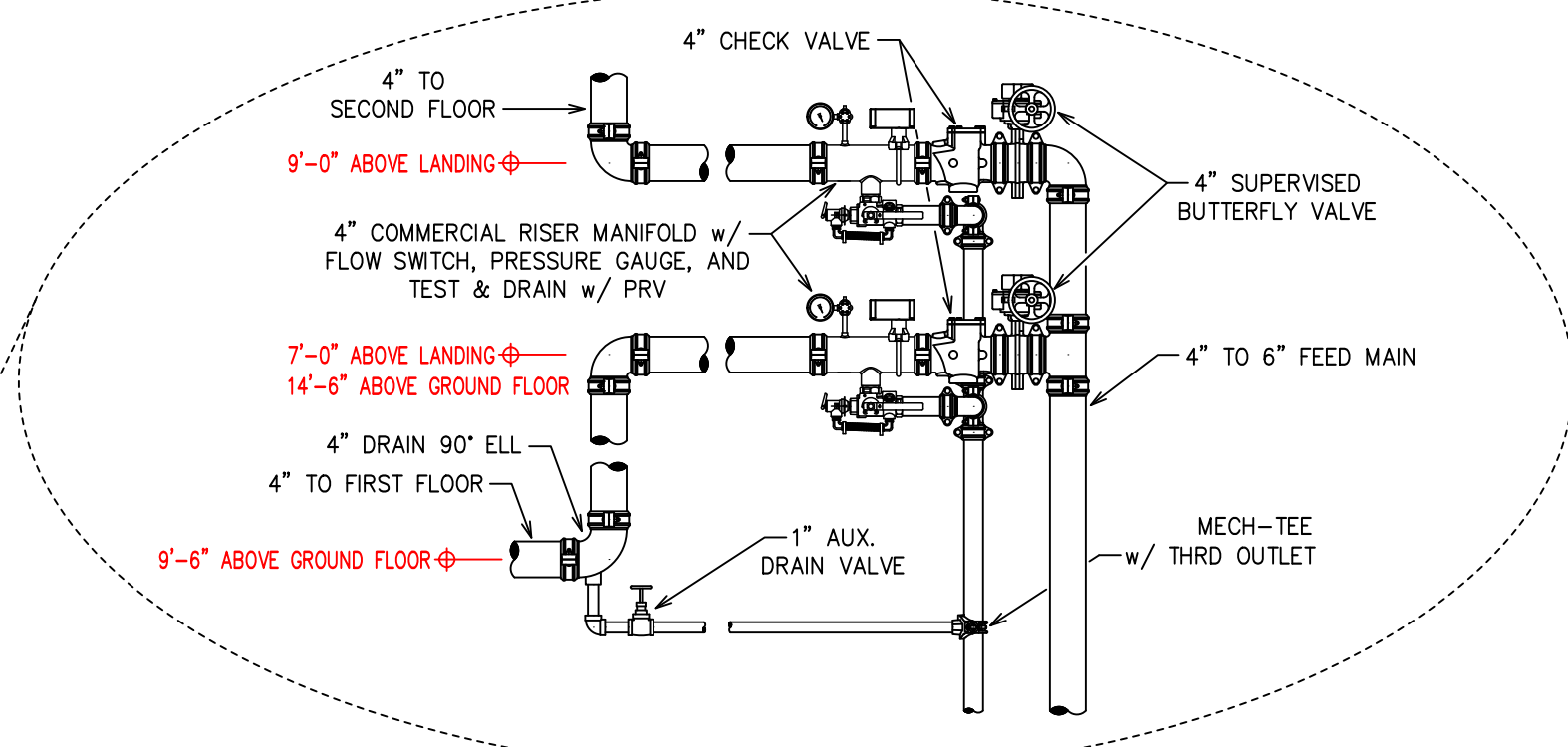
CEILING NOTE:
CEILINGS ARE 9'-0" AFF UNLESS NOTED OTHERWISE



AUX. PRACTION RISER
SCALE: 1/2" = 1'-0"

- AUX. PRACTION RISER LEGEND**
- 3" FROM BULK MAIN
 - 3" VICTALIC FIRELOCK NTX 769N DOUBLE INTERLOCK
 - PRACTION VALVE w/ 3" GROOVED SUPERVISED CONTROL VALVE
 - GENERAL AIR RISER MOUNTED AIR COMPRESSOR
 - 1/2" LINE TO FROM AIR COMPRESSOR
 - 1-1/4" DRAIN PIPED TO EXTERIOR. COORDINATE EXACT LOCATION w/ GC AND OWNER.
 - 3" OUT TO AUX. PRACTION SYSTEM (ZONE #3)

- ALL WIRING/INTERFACING OF ALARMS BY OTHERS
- ALL PIPING PENETRATING THE EXTERIOR WALL TO BE GALVANIZED



4" CHECK VALVE
4" TO SECOND FLOOR
9'-0" ABOVE LANDING
4" COMMERCIAL RISER MANIFOLD w/ FLOW SWITCH, PRESSURE GAUGE, AND TEST & DRAIN w/ PRV
7'-0" ABOVE LANDING
14'-6" ABOVE GROUND FLOOR
4" DRAIN 90° ELL
4" TO FIRST FLOOR
9'-6" ABOVE GROUND FLOOR
4" SUPERVISED BUTTERFLY VALVE
4" TO 6" FEED MAIN
MECH-TEE w/ THRD OUTLET

STAIR SHAFT IS NONCOMBUSTIBLE, NOT USED FOR STORAGE, AND THE FLOOR AREA BENEATH THE INTERMEDIATE LANDING AND LOWEST STAIR RUN IS BLOCKED OFF BY RAILING. THEREFORE, SPRINKLER PROTECTION PROVIDED ONLY AT EGRESS PATH PER NFPA 13, 8.15.3.2.

DESIGN NOTE (APPLICABLE TO OUTLINED AREA):
UPRIGHT SPRINKLERS TO BE INSTALLED WITH THE THERMAL ELEMENT 12" BELOW OVERHEAD DECK. PENDANT SPRINKLERS TO BE INSTALLED EQUAL DISTANCE BETWEEN THE FNS WITH THE DEFLECTOR 1" BELOW THE BOTTOM OF THE FNS.

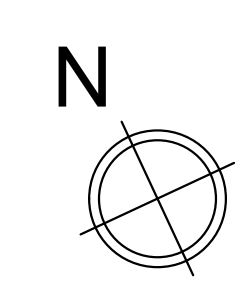
DESIGN NOTE:
SPRINKLER SYSTEMS HAVE BEEN BIM COORDINATED (TYP)

DASHED OUTLINE INDICATES EXTENTS OF UNPROTECTED CEILING POCKET (DEPTH = 1'-8", w/130 SF, AND w/218 CF). SPRINKLER PROTECTION NOT REQUIRED IN CEILING POCKETS PER NFPA 13, 8.6.7.

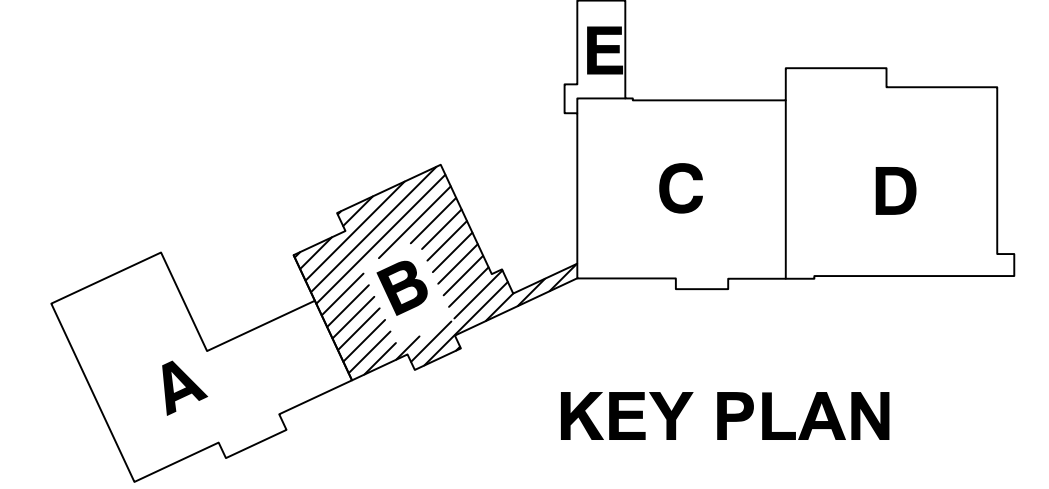
REMOTE AREA #6 DASHED OUTLINE INDICATES EXTENTS OF PHARMACY CAROUSEL MODEL #MEGRS 3501.3050.4.419.12. SEE PHARMACY CAROUSEL DETAILS ON THIS SHEET.

DASHED OUTLINE INDICATES EXTENTS OF UNPROTECTED CEILING POCKET (DEPTH = 1'-8", w/150 SF, AND w/250 CF). SPRINKLER PROTECTION NOT REQUIRED IN CEILING POCKETS PER NFPA 13, 8.6.7.

SPRINKLERS TO BE LOCATED BENEATH DUCT GREATER THAN 4 FT WIDE PER NFPA 13, 8.6.5.3.2 AND FM GLOBAL DATA SHEET 2-0, 2.1.3.2.5.2



FIRE SPRINKLER PLAN - GROUND FLOOR - CI - AREA B
SCALE: 1/8" = 1'-0"
FFE = 100'-0"



KEY PLAN

OWNER TO SUPPLY ADEQUATE HEAT IN ALL AREAS WHERE SPRINKLER PIPING MAY FREEZE.

SPRINKLER LEGEND (1121 TOTAL FOR MOB AND CI)

QTY.	FINISH	TEMP.	W-FACT	THREAD	SN	MODEL	MANUF.	SYMBOL				
2	1002	PENDANT	CONCEALED	WHITE COVER PLATE	BRASS	155	5.00	1/2"	TK462	MIRAGE	MINOR	RELIABLE
18	1056	UPRIGHT	CONCEALED	WHITE COVER PLATE	BRASS	165	8.00	3/4"	TK461T	OS-80F	RELIABLE	
2	1057	UPRIGHT	CONCEALED	WHITE COVER PLATE	BRASS	200	8.00	3/4"	TK500	MICROSPRINKLING	RELIABLE	
13	1058	UPRIGHT	CONCEALED	WHITE COVER PLATE	BRASS	155	5.00	1/2"	TK462	MICROSPRINKLING	RELIABLE	
4	1059	UPRIGHT	CONCEALED	WHITE COVER PLATE	BRASS	200	8.00	1/2"	TK500	MICROSPRINKLING	RELIABLE	
0	1060	UPRIGHT	CONCEALED	WHITE COVER PLATE	BRASS	165	11.20	1-1/4"	TK464	MICROSPRINKLING	RELIABLE	
2	1061	UPRIGHT	CONCEALED	WHITE COVER PLATE	BRASS	155	5.00	1/2"	TK462	MICROSPRINKLING	RELIABLE	
2	1062	UPRIGHT	CONCEALED	WHITE COVER PLATE	BRASS	155	5.00	1/2"	TK462	MICROSPRINKLING	RELIABLE	
1	1063	UPRIGHT	CONCEALED	WHITE COVER PLATE	BRASS	155	5.00	1/2"	TK462	MICROSPRINKLING	RELIABLE	
2	1064	UPRIGHT	CONCEALED	WHITE COVER PLATE	BRASS	155	5.00	1/2"	TK462	MICROSPRINKLING	RELIABLE	
1	1065	UPRIGHT	CONCEALED	WHITE COVER PLATE	BRASS	155	5.00	1/2"	TK462	MICROSPRINKLING	RELIABLE	

OAKS

SCALE	AS NOTED	DATE	JOB NUMBER	SWEEP NO.
AS NOTED	DATE	DATE	AREA SWEEP	FFP 4 of 9
DATE	DATE	DATE	GROUND - AREA B	

